

# FRP membrane housing

## Profile

We also can call Pressure vessel, UF membrane,NF membrane,RO membrane Inside. It can contain 1 to 4 RO elements as 4 inch membrane housing and 1 to 6 RO elements as 8 inch membrane housing usually

Our FPR membrane housings are applicabled to most standard membranes,products can also be manufactured for customer's special order

- . DOW
- . HYDRANAUTICS
- . CSM
- . TORAY
- . Osmonics
- . FLUID SYSTEM
- . CHINESE BRAND
- . OTHERS

## Main parameter

Temperature: -7--50 C

Max pressure: 300,600,1000psi

Operation pressure: 1.0-1.5Mpa;3.0Mpa; 5.5Mpa

Feed mode: End port entry( 4 inch); Side port entry( 8 inch)

Feed& Concentrate: 3/4" ( 4inch),1 1/2"( 8 inch); Permeate: 1/2"( 4 inch),1"( 8 inch)

## Fiberglass-Reinforced Plastics advantage

- . High Strength & Light Weight
- . Non-corrosive/Low Maintenance
- . Electrically Non-conductive
- . Easy to Assemble and Erect
- . Attractive Appearance

## Materials of Construction

### A. 4" membrane housing

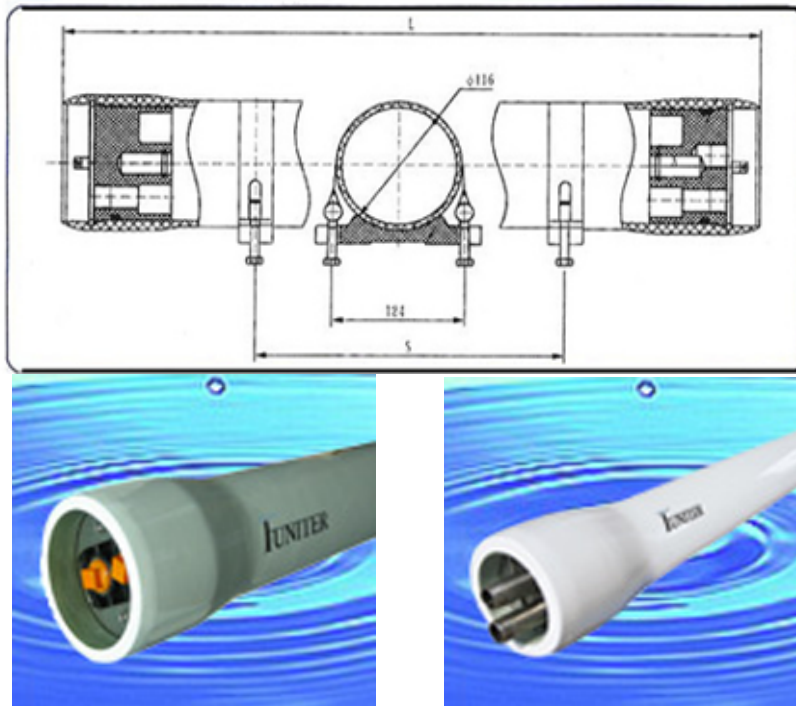
No.	Description	Qty	Material
1	Housing	1	FRP
2	END cap	2	ABS
3	Baffle	4/ 6	SS304 or Aluminum alloy
4	Support strap	2	SS304
5	Mounting pad	2	Rubber
6	End O-ring	2	EPDM
7	Strap screw	4	SS304
8	Screw	4	SS304
9	Permeate plug	2	ABS or UPVC
10	Adapter	2	ABS

### B. 8" membrane housing

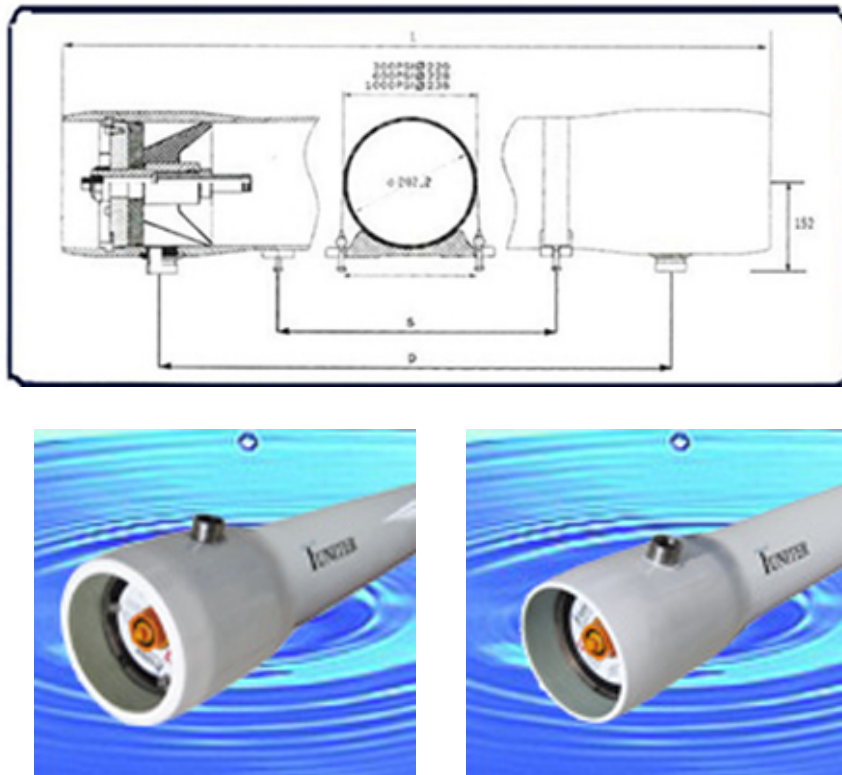
No.	Description	Qty	Material
1	Housing	1	FRP
2	END cap	2	ABS or PVC
3	Bearing plate	2	Aluminum alloy
4	Thrust cone	1	ABS
5	Adapter	2	ABS
6	End O-ring	2	EPDM
7	F/C O-ring	2	EPDM
8	Permeate nut	2	ABS
9	Support strap	2	SS304
10	mounting pad	2	Rubber
11	Strap screw	4	SS304
12	F/C port	2	SS304
13	P port	2	ABS
14	Securing ring	6/8	SS304 or Aluminum alloy

# FRP membrane housing Structure

## A. 4" Series



## B. 8" Series



## FRP membrane housing dimension

Model	Max pressure	L	P	S	D	F/C	Perneate	Remark	
4040-1	300psi	1150mm		1050mm	116mm	3/4"	1/2"	End port	
4040-2	300psi	2170mm		2070mm	116mm	3/4"	1/2"	End port	
4040-3	300psi	3180mm		3080mm	116mm	3/4"	1/2"	End port	
4040-4	300psi	4200mm		4100mm	116mm	3/4"	1/2"	End port	
4040-1	600psi	1270mm		1050mm	116mm	3/4"	1/2"	End port	
4040-2	600psi	2300mm		2070mm	116mm	3/4"	1/2"	End port	
4040-3	600psi	3300mm		3080mm	116mm	3/4"	1/2"	End port	
4040-4	600psi	4330mm		4100mm	116mm	3/4"	1/2"	End port	
8040-1	300psi	1520mm	1180mm	750mm	202mm	1 1/2"	1"	Side port	
8040-2	300psi	2550mm	2200mm	1460mm	202mm	1 1/2"	1"	Side port	
8040-3	300psi	3560mm	3200mm	2070mm	202mm	1 1/2"	1"	Side port	
8040-4	300psi	4590mm	4250mm	1650mm	202mm	1 1/2"	1"	Side port	
8040-5	300psi	5600mm	5255mm	2000mm	202mm	1 1/2"	1"	Side port	
8040-6	300psi	6610mm	6260mm	2300mm	202mm				
		from 4 to 6 elements,it is twice							
8040-1	600psi	1520mm	1180mm	750mm	202mm	1 1/2"	1"	Side port	
8040-2	600psi	2550mm	2200mm	1460mm	202mm	1 1/2"	1"	Side port	
8040-3	600psi	3560mm	3200mm	2070mm	202mm	1 1/2"	1"	Side port	
8040-4	600psi	4590mm	4250mm	1650mm	202mm	1 1/2"	1"	Side port	
8040-5	600psi	5600mm	5255mm	2000mm	202mm	1 1/2"	1"	Side port	
8040-6	600psi	6610mm	6260mm	2300mm	202mm	1 1/2"	1"	Side port	
		from 4 to 6 elements,it is twice as "S" size							
8040-1	1000psi	1560mm	1180mm	750mm	202mm	1 1/2"	1"	Side port	
8040-2	1000psi	2590mm	2200mm	1460mm	202mm	1 1/2"	1"	Side port	
8040-3	1000psi	3620mm	3200mm	2070mm	202mm	1 1/2"	1"	Side port	
8040-4	1000psi	4630mm	4250mm	1650mm	202mm	1 1/2"	1"	Side port	
8040-5	1000psi	5640mm	5255mm	2000mm	202mm	1 1/2"	1"	Side port	
8040-6	1000psi	6650mm	6260mm	2300mm	202mm	1 1/2"	1"	Side port	
		from 4 to 6 elements,it is twice as "S" size							